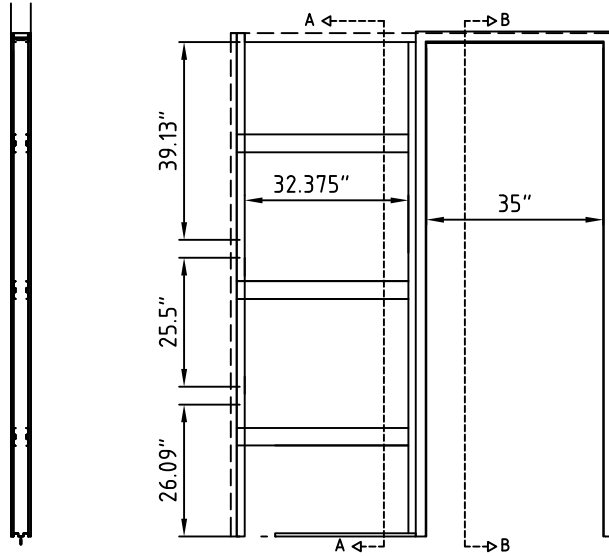


# Plan View MM3696

Cross section A - A



Cross section B - B

